

GALIL 5.56mm Assault Rifle

Models: ARM; AR; SAR

Operator's manual



ISRAEL MILITARY INDUSTRIES

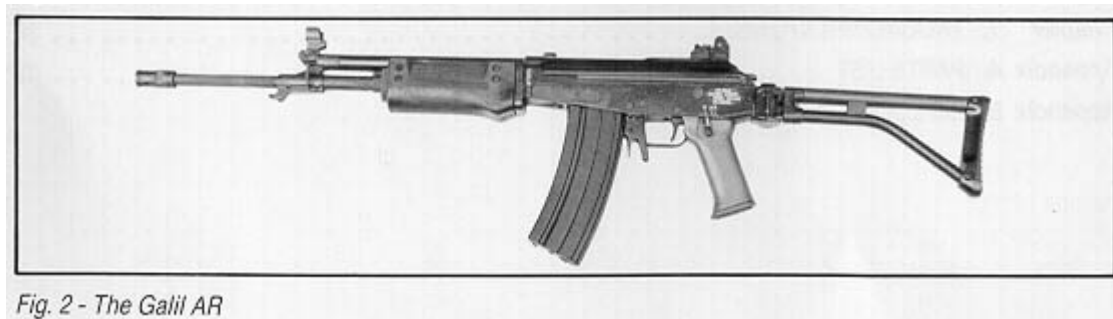
Chapter	1.	Description
Chapter	2.	General data
Chapter	3.	Function
Chapter	4.	Operation
Chapter	5.	Disassembly and Assembly
Chapter	6.	Preventive Maintenance
Chapter	7.	Troubleshooting
Appendix	A.	Parts List
Appendix	B.	Exploded View

DESCRIPTION

The Galil assault rifle (Models **ARM**, **AR** & **SAR**) is a multi-purpose personal weapon, Designed to serve as a basic weapon for the infantry squad.



The rifle (**fig. 1, 2 & 3**) it is a lightweight, aircooled, gas-operated, magazine-fed, Shoulder or hip fired weapon. It can be used as an assault rifle and light machine gun (**ARM**: with bi-pod, carrying handle & stock extended). By use of a fire selector lever, the weapon fires automatically or semi-automatically.



The rifle's flash suppressor also serves as a grenade launcher (**ARM & AR** -standard, **SAR** –optional) In the **ARM** model the bipod also serves as a wirecutter. The Galil is deployed in each of these models without any change of parts or addition of adapters.



Fig. 3 - The Galil SAR

Outstanding ease of handling makes the Galil a unique weapon in it's class. The cocking lever, fire selector lever and magazine catch may all be operated from either side of the weapon so that handling is equally easy for the right or left-handed soldier.

No tools are required when stripping the weapon.

A brief description of the components is as follows: **(fig.4)**

The barrel assembly is air-cooled and contains a post type front sight and a flash suppressor. The flash suppressor also serves as a grenade launcher and bayonet mount.

The folding stock is of rugged lightweight construction. When extended, it locks into Position secured by means of a spring loaded locking mechanism.

The Bolt carrier, which locks and unlocks the bolt, travels in the upper part of the receiver And accommodates the return spring.

The fire selector lever, when on safe position, positively blocks the trigger and covers the slot in the cover in which the cocking lever travels, thus preventing the cocking of the weapon and dirt from entering the mechanism.

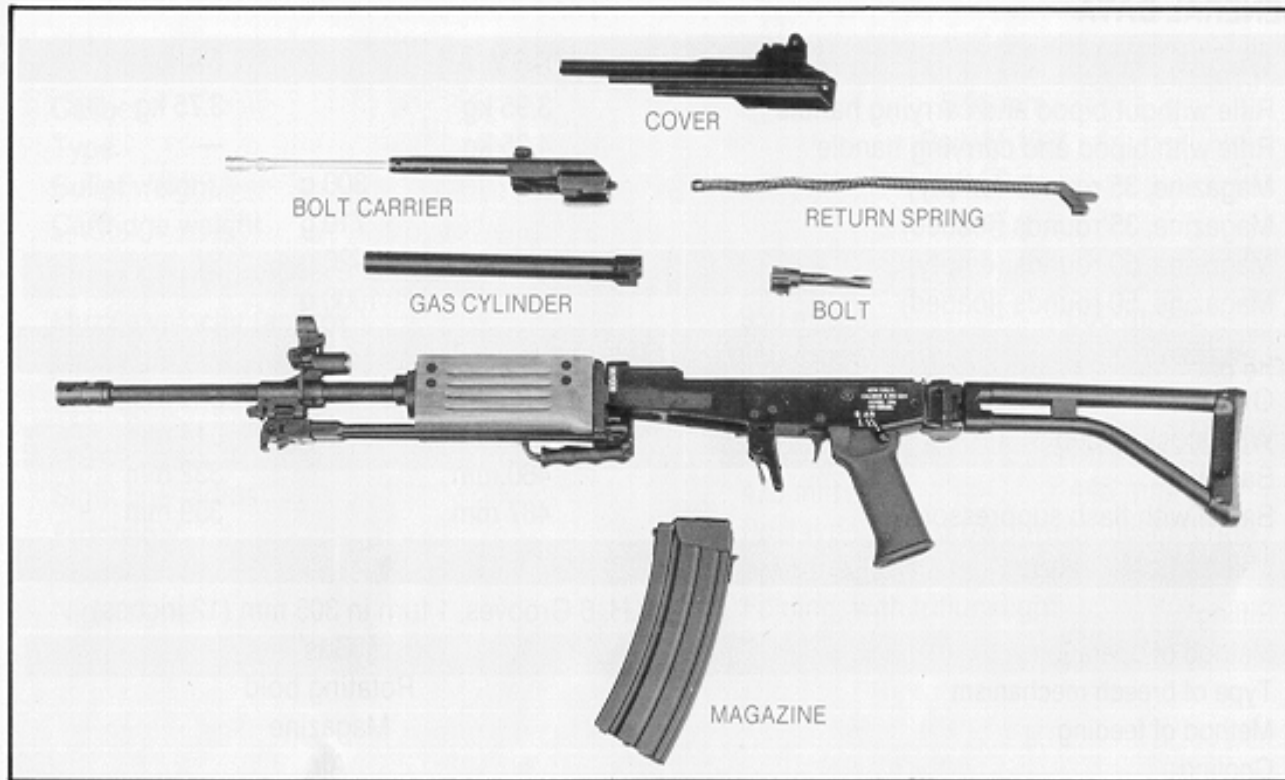


Fig. 4 - Field Stripping

GENERAL DATA

Weight

	ARM/AR	SAR
Rifle without bipod and carryhandle	3.95 Kg	3.75 Kg
Rifle with bipod and carryhandle	4.35 Kg	-----
Magazine, 35 Rnd (empty)		300 g
Magazine, 35 Rnd (loaded)		710 g
Magazine, 50 Rnd (empty)		420 g
Magazine, 50 Rnd (loaded)		1000 g

Lenght

Overall	979mm	840mm
With folded stock	742mm	614mm
Barrel	460mm	332mm
Barrel with flash suppressor	487mm	359mm

Mechanical Features

Rifling	R.H. 6 Grooves, 1 turn in 12" or 1 : 7" for SS109 Cartridge	
Method of operation	Gas operated	
Type of breech mechanism	Rotating Bold	
Method of feeding	Magazine	
Method of cooling	Air Cooled	

Ammunition

Caliber
Type
Bullet weight
Cartridge weight

ARM/AR

5,56 mm / .223 rem
Ball, M 193 or SS 109
3.56 g
11.7 g

SAR

Firing Characteristics

Muzzle velocity (approx.)
Maximum rate of fire (approx.)
Effective range

950 m/sec
650 Rnd/min
500 m

900 m/sec
650 Rnd/min
400 m

Sights

Sight line radius
Frontsight
Rearsight
Nightsight

475mm
Post sight, with protective battlesight ring
Aperture, L flip type, set for 300 & 500 m
Folding, with tritium dots

445mm

FUNCTION

Retraction Movement

When the cartridge is fired the pressure of the burnt propellant causes the bullet to move forward. When the bullet passes the gasport, gases under pressure enter the gas cylinder and push the gas piston and thus the bolt carrier backwards (**piston and bolt carrier are rigidly connected**). The backward movement of the bolt carrier causes the bolt to rotate, because the lug groove in the bolt carrier act upon the bolt lug. This rotary motion of the bolt releases the empty cartridge case from the chamber and only after the completion of the unlocking action do the bolt carrier and the bolt retract together backwards, thus finishing the extraction operation. When the bolt carrier moves backwards the return spring contracts and the empty cartridge case is thrown out through the ejection port by the ejector. During the retraction of the bolt carrier and bolt, the hammer is cocked and engaged to the trigger sear.

Forward Movement

When the return spring expands, it drives the bolt carrier and bolt forward. One cartridge is pushed out from the magazine by the bolt and fed into the chamber. In the meantime the extractor “grips” the cartridge case rim. The continuation of the forward movement causes the bolt to rotate and thus, through the locking lugs, locks the bolt against the receiver. When the locking action is completed the bolt carrier’s nose reaches the automatic sear to turn and release the hammer. When pulling the trigger, the hammer is disengaged from the trigger sear and hits the firing pin which strikes the primer of the cartridge inside the chamber.

Trigger Mechanism Operation

The mechanism is operated by the backward and forward movement of the boltcarrier and bolt. It comprises the following components – Trigger, - Disconnecter, - Hammer, - Automatic sear, - Fire selector lever.

Fire Selector Lever on Safe “S” Position (fig.5)

In this position the fire selector is located above the rear end of the trigger preventing its movement and thus the release of the hammer.

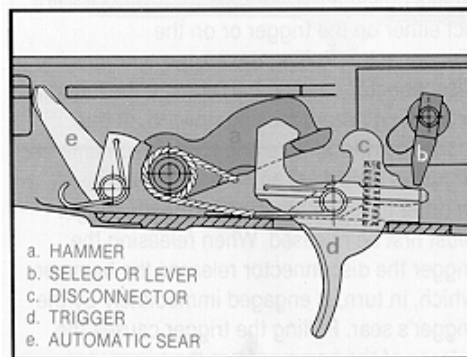


Fig. 5 - Fire selector lever on safe “S” position

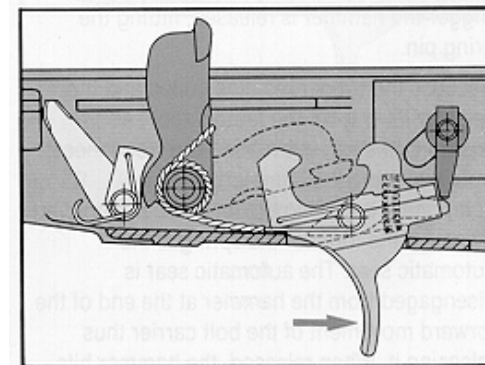


Fig. 6 - Fire selector lever on automatic “A” position

Fire Selector Lever on Automatic “A” Position (fig.6)

In this position the selector lever is located above the disconnecter while the trigger’s sear engages the hammer (hammer spring is compressed).

At the end of the forward movement the bolt carrier disengages the automatic sear from the hammer’s grade. The hammer is now engaged by the trigger’s sear only. When pulling the trigger the hammer is released, hitting the firing pin.

Because the trigger remains pulled and the selector is on the **(automatic) "A"** position, (thereby preventing the disconnecter from engaging the hammer) the only component engaging the hammer and holding it against the force of the spring is the automatic sear. The automatic sear is disengaged from the hammer at the end of the forward movement of the boltcarrier thus releasing it. When released, the hammer hits the firing pin and fires the cartridge. The action is repeated as long as the trigger is kept pulled. When the trigger is released the hammer is engaged by the trigger's sear and the firing stops.

Fire Selector Lever on Semi-Automatic "R" Position *(figs. 7A & 7B)*

In this position the fire selector lever does not act either on the trigger or on the disconnecter. Pulling the trigger operates the disconnecter causing it to engage the hammer, preventing it from moving upward. In this mode the rifle will fire one round each time the trigger is pulled. In order to fire another cartridge the trigger must be released. When releasing the trigger the disconnecter releases the hammer which, in turn, is engaged immediately by the trigger's sear. Pulling the trigger causes the release of the hammer from the trigger sear, thus hitting the firing pin.

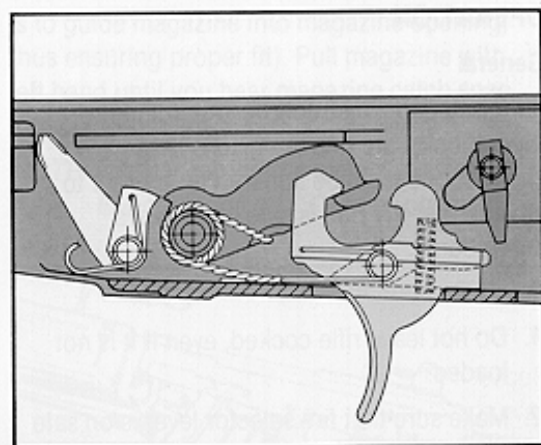


Fig. 7B - Fire selector lever on (semi-automatic) "R" position, trigger released

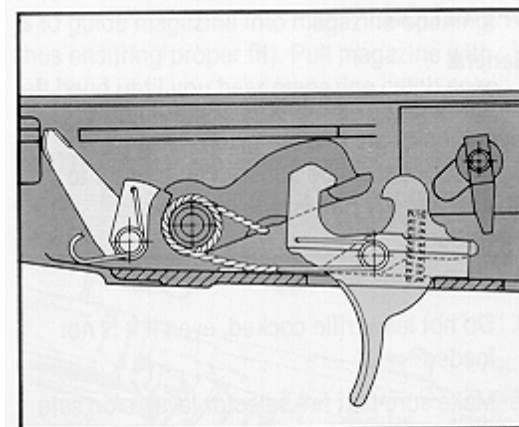


Fig. 7B - Fire selector lever on (semi-automatic) "R" position, trigger released

OPERATION

General

In this section, instructions regarding the operation of the rifle are given. These instructions must be followed in order to ensure that the rifle is safe and always operational.

Safety Precautions

1. Do not leave the rifle cocked, even if it is not loaded
2. Make sure that the fire selector lever is on **safe “S”** position whenever:
 - a. Firing is terminated.
 - b. Rifle is being transported or moved.
 - c. Rifle is not in use

This is to ensure that the rifle is rendered safe and to keep dirt and sand from getting into the ejection port.

3. If jamming occurs while firing, remove magazine before carrying out any inspection.

Loading and Unloading of a Magazine

1. Loading: Hold magazine in your left hand (follower facing upwards) and support it on your knee. Hold cartridges with right hand. Place cartridge in follower, press cartridge with right thumb. Load magazine with cartridges.
2. Unloading: Hold magazine with your left hand (follower facing upwards and back of magazine facing your body) supporting it on your knee. Push cartridges, one after the other, with your right thumb, until the last cartridge is ejected.

WARNING: WHEN LOADING DO NOT EXCEED SPECIFIED MAGAZINE CAPACITY

Inserting a Magazine

(figs. 8A and 8B)

Hold pistol grip with right hand, tilt the rifle about 60° up and to the right. Hold magazine with left hand tilted 60° towards rifle and insert magazine into rifle and insert magazine opening (the tilt is to guide magazine into magazine opening, thus ensuring proper fit). Pull magazine with left hand until you hear magazine catch snap into place.

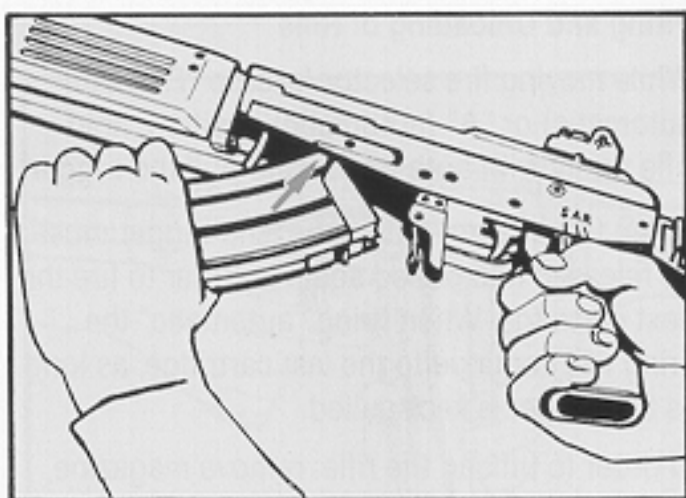


Fig. 8A - Inserting the magazine, Stage A

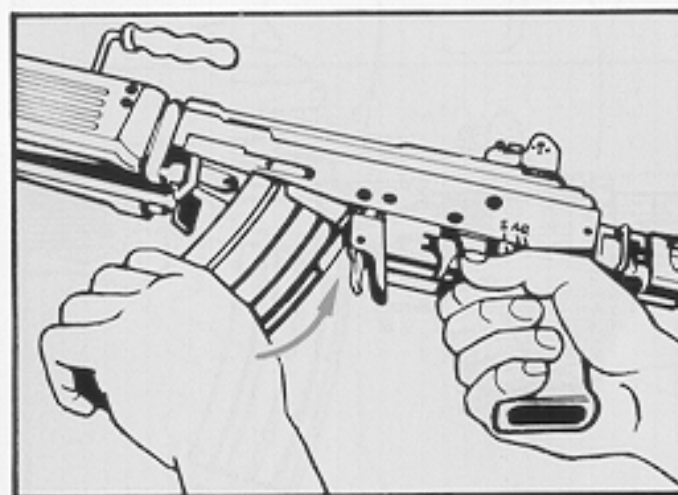


Fig. 8B - Inserting the magazine, Stage B

Note: While inserting the magazine, selector lever must be on "S" (safe) position.

Cocking and Loading of Rifle (fig. 9)

While still holding rifle's pistol grip – after inserting magazine, pull cocking lever **all the way back**, then release.

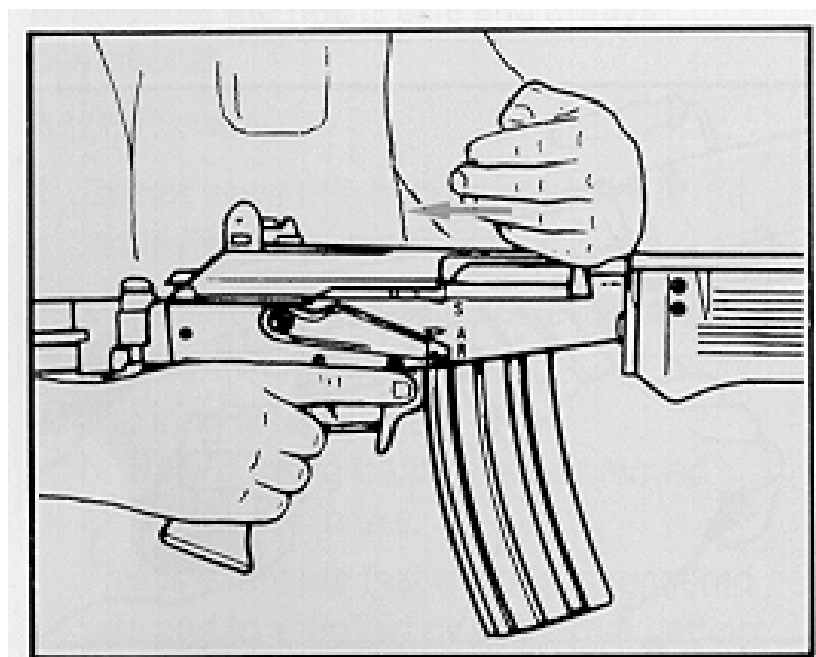


Fig. 9 - Cocking the rifle

This actions will cause cartridge to be pushed from magazine into chamber. The rifle is now loaded.

Note: Before pulling cocking lever be sure that the fire lever is on "R" of "A" position.

Firing and Unloading of Rifle

While moving fire selector to **“R” (semi-automatic)** or **“A” (automatic)** position, hold rifle firmly with both hands and pull the trigger.

When firing **“semi-automatic”** the trigger must be released and pulled again in order to fire the next cartridge. When firing **“automatic”** the firing will continue tot the last cartridge, as long as the trigger is kept pulled.

In order to unload the rifle: remove magazine, remove cartridge, clear rifle and move fire selector to **“S” (safe)** position.

Removing Magazine *(figs. 10A and 10B)*

Hold magazine with 4 fingers of the left hand wrapped around front of magazine pressing the magazine catch forward with the index finger of the right hand, while at the same time pulling the magazine in a forward and downward movement. Or, alternatively, press the magazine catch forward with your left thumb pulling the magazine in a forward and downward movement.

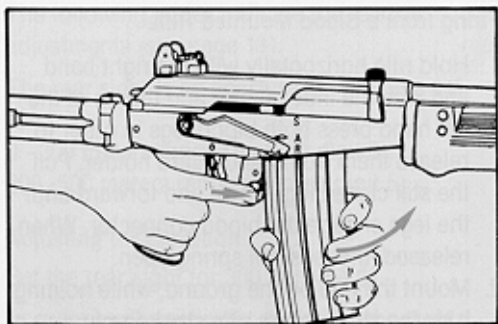


Fig. 10A - Removing magazine

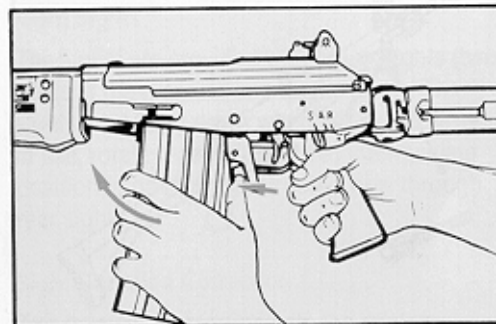


Fig. 10B - Removing magazine

Note: It is also possible to remove the magazine with the right hand.

Preparing the Rifle for Grenade Launching (fig. 11)

The flash suppressor-grenade launcher is used for launching all grenade types, i.e. anti-tank, personnel, smoke, etc.

1. Before grenade launching, move selector lever to **“R” (semi-automatic)** position.
2. Clear the weapon.
3. Mount the disposable grenade sight on rifle's sight
4. Insert the 12 round magazine with ballistic cartridges into the rifle.
Rifle is now ready for grenade launching.

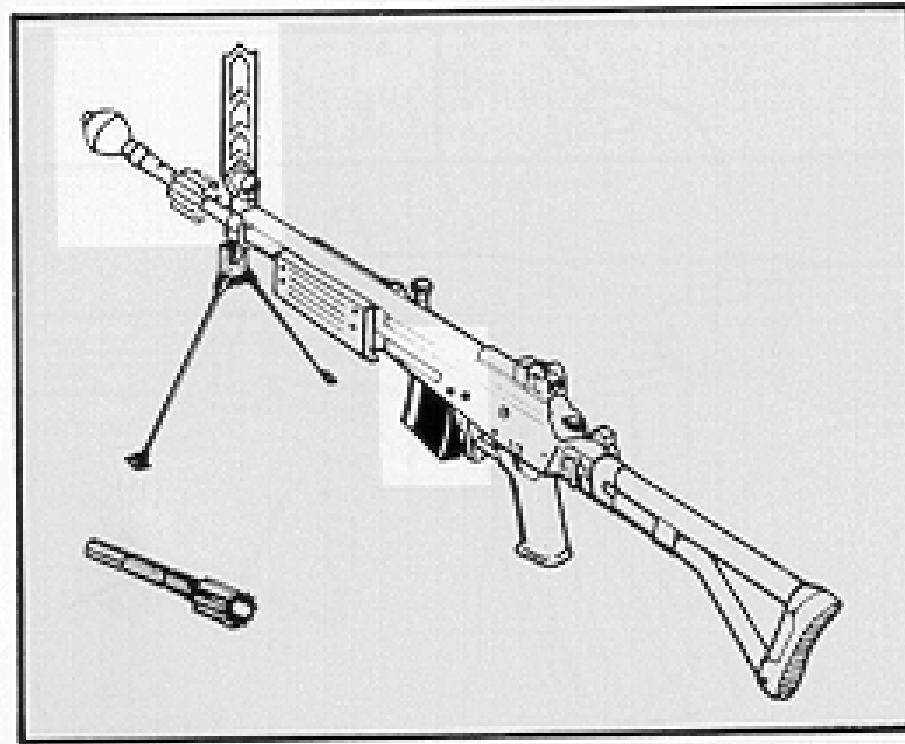


Fig. 11 - Rifle ready for grenade launching

Firing from Bipod Mounted Rifle

1. Hold rifle horizontally with the right hand and with the index finger and thumb of the left hand press both bipod legs in order to release them from hand guard holder. Pull the still closed legs down and forward until the legs engage bipod connector. When released, the legs will spring open.
2. Mount the rifle on the ground, while holding it by the stock, press rifle stock firmly against shoulder.
3. Hold pistol grip with right hand, move selector to “R” position, cock rifle with left hand, grip top of stock with left hand.

Rifle is now ready for use.

Note: Folding of bipod legs is performed in reverse order.

Sight Adjustment

The following tables indicate the relative adjustments (**Fig.12**).

The rear sight is an aperture “L” flip type set for:

0 – 300 meters range (marked digit 3).

300 – 500 meters range (marked digit 5).

Adjusting for Elevation

Set the rear sight for 300 m (Digit 3).

In order to correct sight deviation, the sight edge must be adjusted in the direction of the deviation i.e. mean “hit” point is above the target, adjust sight edge upwards, etc.

Adjusting for Windage

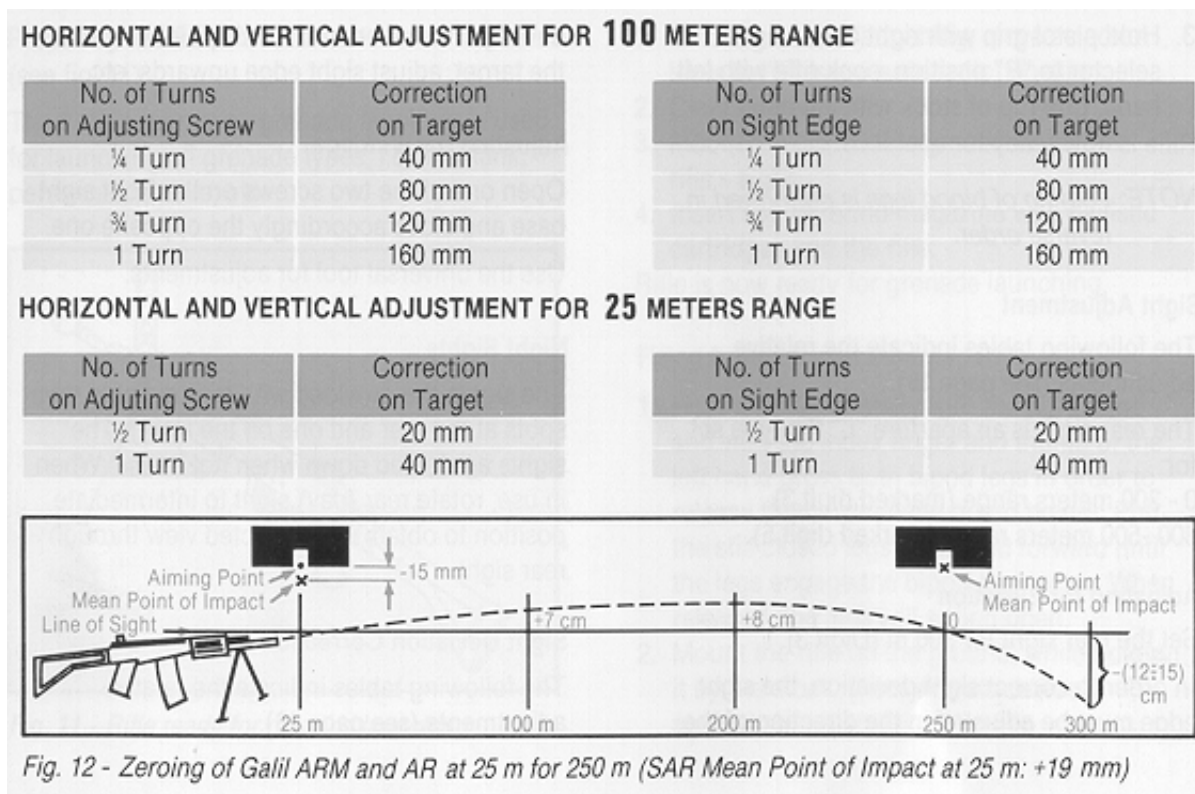
Open one of the two screws on the front sight base and close accordingly the opposite one. Use the universal tool for adjustments.

Night Sights

The sights are provided with tritium lights (two spots at the rear and one on the front). The sights are folded down when not in use. When in use, rotate rear (day) sight to intermediate position to obtain unobstructed view through rear sight.

Sight Deviation Correction

The following tables indicate the relative adjustments (*fig.12*).



DISASSEMBLY AND ASSEMBLY

General

This chapter deals only with disassembling and assembling operations which a soldier is allowed to perform in the field. Apart from these operations disassembling of assembling of any other parts is forbidden.

The disassembling operations must be carried out on a clean surface and disassembled parts should be placed in their order of removal.

Disassembling must be carried out with standard tools.

Assembling is always performed in reverse order to disassembling unless otherwise specified.

Before disassembling, carry out the following operations:

1. Remove magazine, remove cartridge, clear rifle several times to make sure that there is no live cartridge in the barrel chamber.
2. Move fire selector lever to **“R” (semi-automatic)** or **“A” (automatic)** position.

Disassembling the Cover Assembly (figs. 13A and 13B)

1. Press cover catch inward with right thumb.
2. With left hand, tilt cover assembly to the right, lift a little and pull back to remove it from rifle.

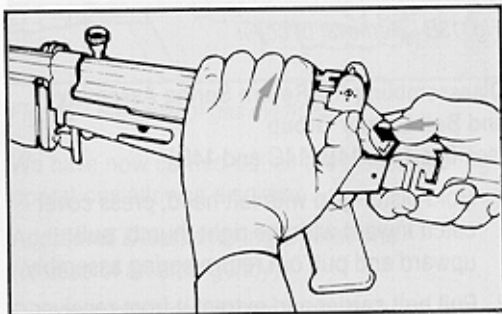


Fig. 13A - Disassembling of cover, pressing cover catch

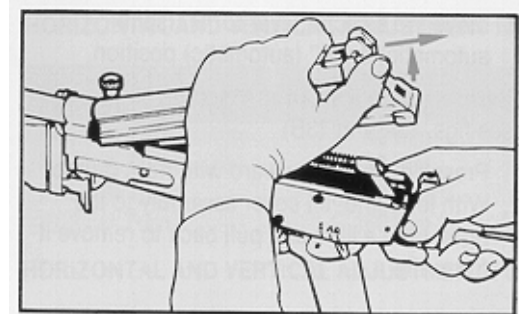


Fig. 13B - Removal of cover

Disassembling the Return Spring Assembly and Bolt Carrier Group (figs. 14A, 14B, 14C and 14D)

1. Hold pistol-grip with left hand, press cover catch inward with the right thumb, pull upward and pull out return spring assembly.
2. Pull bolt carrier and extract it from receiver, hold bolt carrier clockwise and pull it out.

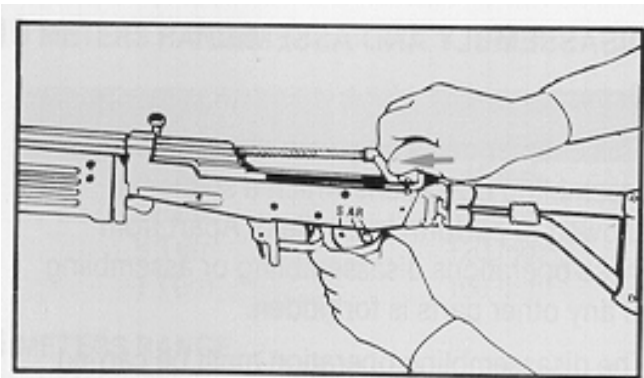


Fig. 14A - Disassembling of return spring assembly

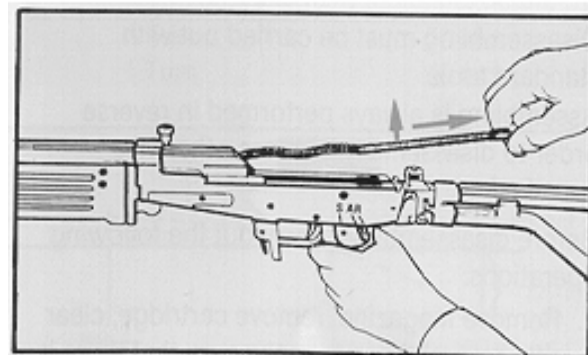


Fig. 14B - Removal of return spring assembly

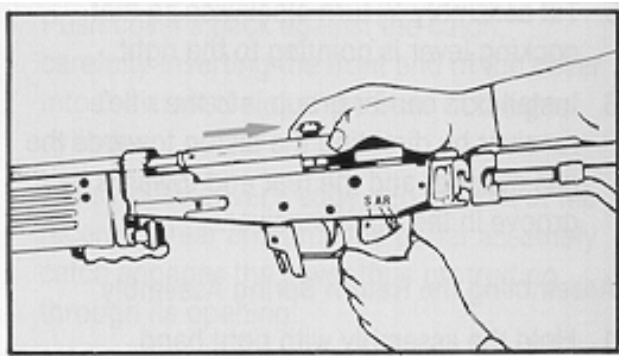


Fig. 14C - Disassembling of bolt carrier group

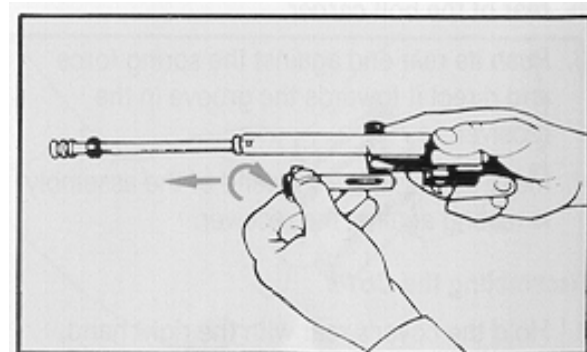


Fig. 14D - Removal of bolt from bolt carrier

Disassembling the Gas Cylinder *(fig. 15)*

1. Hold the end of the gas cylinder.
2. Pull backwards and lift outside.

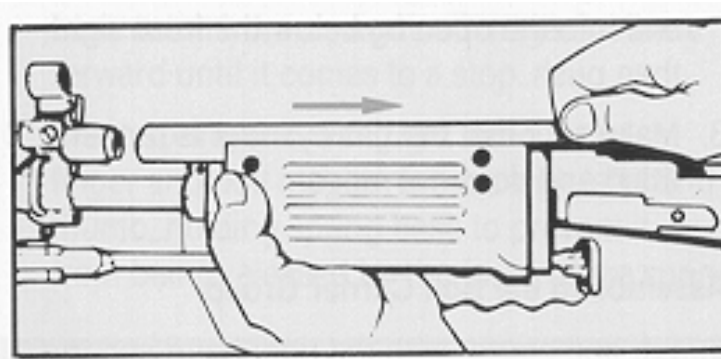


Fig. 15 - Removal of gas cylinder

We have now carried out all the disassembling operations allowed to a soldier.

Additional Disassembling Operations *(in case of an emergency)*

Disassembling and assembling the firing ping and the extractor will be carried out only by the unit armorer.

Assembling the Gas Cylinder

1. Lift gas cylinder with the right hand.
2. Fit its rear end in its guides between the hand guard and the chamber and its front end into the opening below the front sight, then push.
3. Make sure that the gas cylinder is properly fitted and does not move.

Assembling the Bolt Carrier Group

1. Lift bolt carrier with the right hand and the bolt with the left hand.
2. Hold bolt carrier horizontally with cocking lever resting in the palm of the right hand.
3. Install the bolt inside the bolt carrier, pull forward and at the same time execute half a turn until the bolt locks in the bolt carrier.
4. With the right thumb keep the bolt locked in forward position in the bolt carrier.
5. Tilt assembly 1/3 turn clockwise so that cocking is pointing to the right.
6. Install bolt carrier group into the rifle's receiver by directing the piston towards the gas cylinder and the rear towards its groove in the rifle's receiver.

Assembling the Return Spring Assembly

1. Hold the assembly with right hand.
2. Insert the front end into the opening at the rear of the bolt carrier.
3. Push its rear end against the spring force and direct it towards the groove in the receiver.
4. Make sure that the rear end of the assembly is resting against the receiver.

Assembling the Cover

1. Hold the cover's rear with the right hand.
2. Install cover above bolt carrier group.
3. Push cover's back against the catch, carefully inserting the front end of the cover into the arched slot at the base of the gas cylinder.
4. Firmly push cover's edge into the slot at the receiver's rear end until the buffer assembly catch engages the cover thus protruding through its opening.

Disassembling the Magazine *(figs. 16A, 16B and 16C)*

1. Hold the magazine with the left hand (magazine base facing upwards and its back supported with the thumb).
2. With the aid of ar cartridge push magazine base catch inwards and pull magazine base forward until it comes to a stop.
3. Press spring end with right hand index finger and pull magazine base with left hand thumb, holding spring base with left hand thumb, holding spring base to prevent it from being released by the force of the spring.
4. Free spring carefully (by rocking it sideways) and pull it out together with follower.

Assembling the Magazine

1. Hold magazine with left hand (follower facing downwards).
2. Insert follower and spring in their position (rocking spring in the process). Follower should be direct towards its enclosure.
3. With the left index finger press spring.
4. Insert magazine base, push forward until catch protrudes.

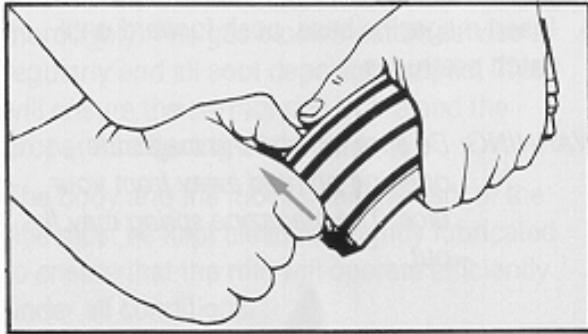


Fig. 16A - Disassembling of magazine, Stage A

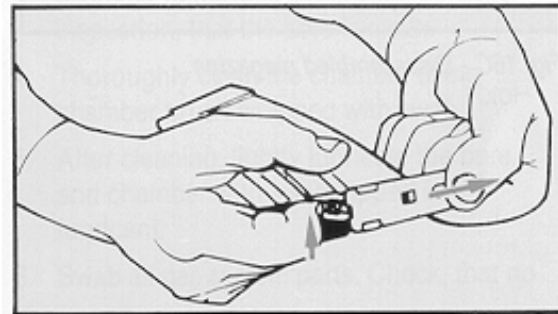


Fig. 16B - Disassembling of magazine, Stage B

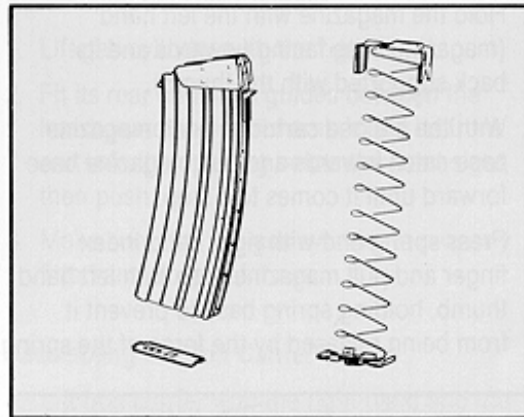


Fig. 16C - Disassembled magazine

WARNING: BE SURE TO KEEP THE MAGAZINE OPENING POINTED AWAY FROM YOUR FACE. THE MAGAZINE SPRING MAY FLY OUT.

PREVENTIVE MAINTENANCE

General

Comprehensive knowledge of how to service and handle weapons, particularly automatic weapons, is of great importance. Special attention must be paid to cleaning, lubricating and inspecting the weapon. This will determine whether the weapon functions properly at the time it is needed.

In order to achieve accuracy in firing, the barrel, bore and chamber must be serviced thoroughly. The gas block must be serviced regularly and all soot deposits scraped. This will ensure the correct rate of fire and the proper functioning of the rifle.

The body and the moving mechanism of the rifle must be kept clean and lightly lubricated to ensure that the rifle will operate efficiently under all conditions.

Daily Maintenance

In order to keep the rifle in good operating condition, the following daily cleaning and servicing schedule must be maintained.

1. Dissassemble the rifle (as specified in Chapter 5, Disassembly and Assembly).
2. Wipe all disassembled parts, removing all traces of oil and dirt. Use swab soaked with lubricant(*).
3. Clean the barrel bore. Swab out from **chamber to muzzle**. Make sure, by visual inspection, that the bore is clean.
4. Thoroughly clean the chamber using chamber brush wrapped with swab.
5. After cleaning, lightly lubricate the bore and chamber with swab dipped in lubricant.

6. Swab all gas system parts. Check, that to carbon deposits are left either on the gas block surface or inside the gas passages. If carbon deposits are found, clean by scraping with appropriate scraper and lubricate.
7. Thoroughly clean the gas cylinder. Use gas cylinder brush.
8. Lubricate the gas cylinder. Use brush wrapped with swab dipped in lubricant.
9. Clean both carrier group with a swab dipped in lubricant.
10. Coat the bolt carrier and receiver contact surfaces with lubricant.
11. Clean buffer assembly. Use swab soaked with lubricant.
12. Using swab dipped in lubricant, clean hammer and trigger mechanism, reach as far as possible.
13. Assemble the rifle.

(*) Use only suitable rust preventive lubricant.

Note: While carrying out the daily maintenance the following inspection must be carried out:

- a. Inspect barrel visually. Make sure that it is free from bulging, cracks erosion and copper residues and that there is no other damage.
- b. Inspect gas block, gas passages, piston head and bolt surfaces. Make sure they are clean, free from dirt, rust or any other foreign matter.
- c. Check that dismantled parts are serviceable, particularly the firing pin and the extractor.

CAUTION: REFER TO AN ARMORER WHEN FINDING FAULTY PARTS.

Weekly Maintenance

As per Daily Maintenance procedure, with the following additional operations:

1. Visually inspect bolt's surfaces and make sure that firing pin guide hole is round and undamaged.
2. Visually inspect firing pin tip and extractor. Make sure they are serviceable.
3. Check if the fire selector lever is serviceable.
4. Check if the front sight post is rigid and undamaged.
5. Check if the bipod functions satisfactorily.
6. Check if the rear sight is serviceable.
7. Check if the betalight is installed in the night sights and if it is in good condition and serviceable.
8. Check if the accessories kit is complete, clean and serviceable.

Pre-firing Maintenance

In order to make sure of the proper operation of the rifle the following instructions must be adhered to:

1. Disassemble the rifle.
2. Clean oil and dirt from dismantled parts.
3. Thoroughly clean barrel bore and chamber as specified in Daily Maintenance. **Leave dry.**
4. Thoroughly clean and dry gas cylinder and gas block. Remove all traces of soot deposits.
5. Lightly lubricate the bolt carrier and receiver contact surfaces.
6. Assemble rifle.
7. Check for proper functioning of the rifle by cocking the rifle and pulling the trigger. Repeat several times.

Post Firing Maintenance

Soot and other deposits such as gun powder ash accumulated inside the bore and inner rifle parts cause corrosion. It is, therefore, most important that the rifle be cleaned immediately after firing.

Disassembling the rifle should be in accordance with Chapter 5, Disassembly and Assembly, and the following operations should be carried out:

1. Before disassembling, check that the rifle is clear.
2. Use cleaning brush to remove heavy deposits. Make sure the brush goes **all the way** through the bore before reversing the direction.
3. Deposits that cannot be readily removed with the brush may be treated by coating bore & chamber with good quality bore cleaning lubricant fluid and allowing to soak in for at least twelve hours.
4. The barrel should be cleaned and re-oiled, at least once on the day after firing.
5. Repeat cleaning/oiling procedure for as many days as necessary until swabs come out clean.
6. Dry and lightly lubricate the bore and chamber. Use swab dipped in lubricant.

Cleaning the Gas System

1. Clean the gas cylinder with a nylon bore brush, removing all traces of soot and other deposits. Swab the gas cylinder. Use swab dipped in lubricant. Continue until swabs come out clean.
2. Clean gas passages by scraping all soot deposits. Use the appropriate scraper.
3. Remove soot deposits from piston head. Use the appropriate scraper. Lubricate piston.
4. Clean gas release vents. Use the appropriate scraper.

Cleaning the Bolt Carrier Group

1. Clean the bolt carrier group. Use swab dipped in lubricant. Continue until swabs come out clean, then dry.
2. After cleaning, lightly lubricate all parts.

Cleaning the Trigger Mechanism

1. Clean hammer and firing pin. Reach as far as possible.
2. Lubricate lightly the hammer and firing pin.

Cleaning the External Surfaces and Other Parts

1. Clean external surfaces and other parts. Use swabs.
2. After cleaning, apply a light coat of lubricant to the outer surfaces and other parts. Use swab dipped in lubricant.

Inspection and Checking

While carrying out the above mentioned operations, inspection must be carried out as specified in Daily Maintenance.

1. Assemble the rifle.
2. Check for proper functioning by cocking the rifle and pulling the trigger. Repeat several times.

TROUBLESHOOTING

Immediate action

If your rifle fails to fire, immediate action must be taken without investigating the reason. The immediate action involves the following operations:

- Tap: Tap upward on the magazine to make sure it is properly seated.
- Cock: Pull cocking lever all the way back. Watch for ejection of cartridge or cartridge case.
- Release: If cartridge or cartridge case is ejected, release cocking lever to feed new round (Don't ride the cocking lever).
- Aim & Fire: Aim and pull trigger. If the above immediate actions are repeated twice and the rifle won't fire, take the following action:
- Lower: Lower rifle from shoulder and remove magazine.
- Look: Look inside ejection port and magazine.
- Cock: Pull cocking lever all the way back.
- Locate: Locate fault by inspecting the chamber and bolt carrier.
- Fix: Fix fault and continue firing.

AMMUNITION:

NEVER TRY TO FIRE A CARTRIDGE THAT IS HEAVILY CORRODED, DENTED OR ONE WHICH HAS A LOOSE BULLET.

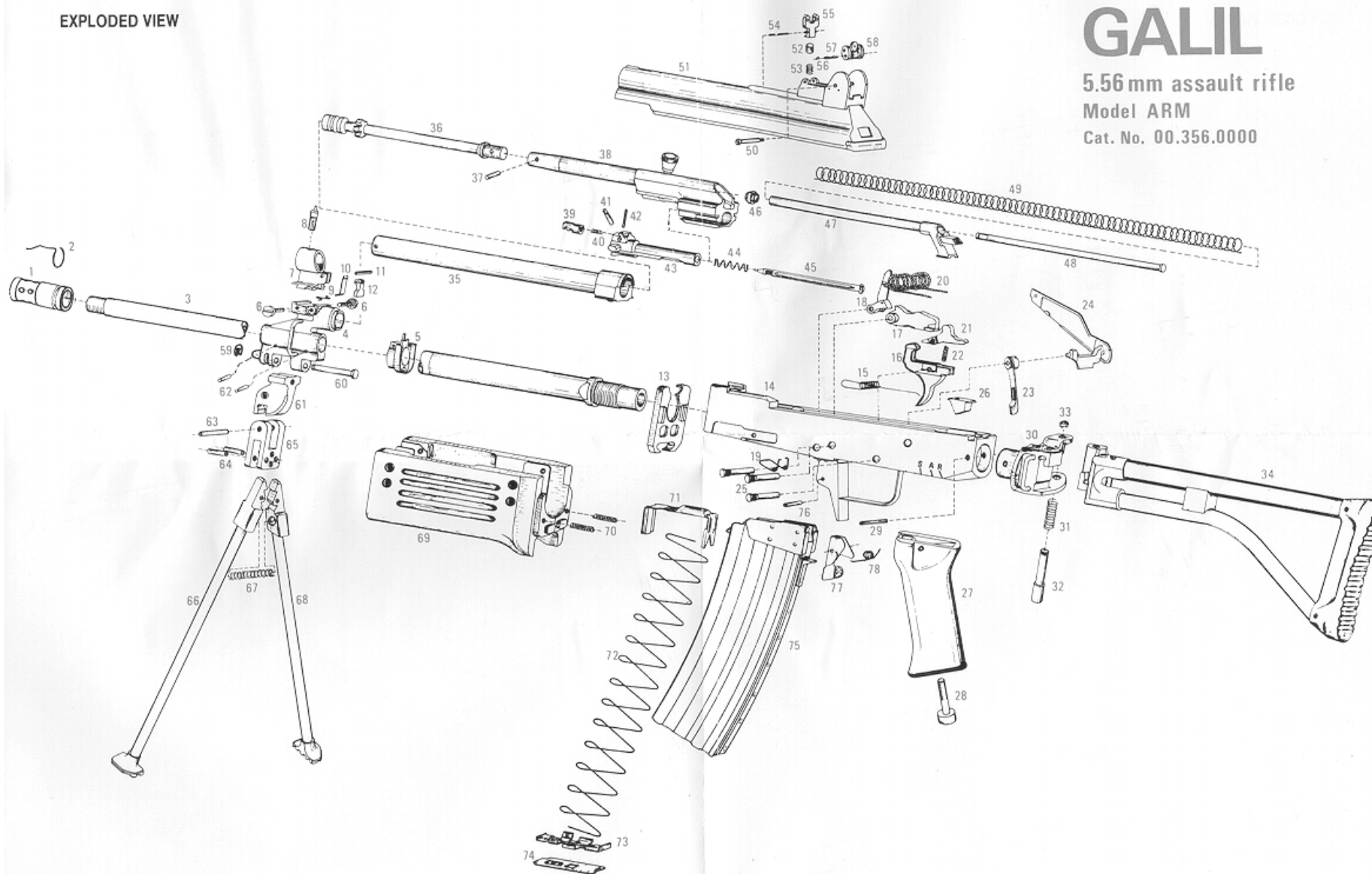
NEVER TRY TO CLEAN A CARTRIDGE WITH GASOLINE OR ANY OTHER INFLAMMABLE MATERIAL, NOR WITH DETERGENTS OR SOLVENTS.

<u>PROBLEM</u>	<u>CHECK FOR</u>	<u>REMEDY</u>
Won't feed	<i>Deformed magazine</i> <i>Broken or weak follower spring</i> <i>Faulty magazine lips</i> <i>Faulty magazine catch</i> <i>Broken magazine catch</i> <i>Improperly fitted magazine</i> <i>Insufficient gas impact</i>	<u><i>Change magazine</i></u> <u><i>Change magazine</i></u> <u><i>Change magazine</i></u> <u><i>Replace</i></u> <u><i>Replace</i></u> <u><i>Tap upwards on the magazine</i></u> <u><i>Clean all gas passages</i></u>
Won't fire	<i>Faulty hammer spring</i> <i>Faulty or broken firing pin</i> <i>Broken automatic sear spring</i> <i>Bolt doesn't lock properly</i>	<u><i>Replace</i></u> <u><i>Replace</i></u> <u><i>Replace</i></u> <u><i>Clean dirty parts</i></u>
Won't extract or eject	<i>Dirty chamber</i> <i>Faulty or broken automatic sear</i> <i>Faulty or broken return spring or extractor</i>	<u><i>Clean</i></u> <u><i>Replace</i></u> <u><i>Replace</i></u>

Index No.	Cat. No.	Description	Index No.	Cat. No.	Description	Index No.	Cat. No.	Description
1	00-356-0011	Flash Suppressor	27	00-365-1010	Pistol Grip Assy	54	00-356-4083	Pin, Rear Night Sight
2	00-356-0012	Retaining Ring Suppressor	28	00-356-1013	Screw, Pistol Grip	55	00-356-4080	Rear Night Sight
3	00-356-1291	Barrel	29	00-356-0006	Spring Pin, Stock	56	00-356-4003	Ball, Rear Sight
4	00-356-1292	Gas Block	30	00-356-6101	Stock Base	57	00-356-4002	Spring, Rear Sight
5	00-356-1295	Front Holder, Hand Guard	31	00-356-6102	Spring, Stock	58	00-356-4001	Rear Sight
6	00-356-2008	Screw, Set, Front Sight	32	00-356-6103	Pin, Pivot, Stock	59	00-356-0004	Retaining Ring, Pin, Bipod Connector
7	00-356-2002	Base, Front Sight	33	00-356-6104	Retaining Ring, Stock	60	00-356-0003	Pin, Pivot Bipod Connector
8	00-356-2003	Post, Front Sight	34	00-356-6190	Stock	61	00-356-7501	Bipod Connector
9	00-356-2007	Spring, Front Sight	35	00-361-2071	Gas Cylinder	62	00-356-1293	Pin, Gas Block
10	00-356-2004	Spring, Front Night Sight	36	00-356-3081	Gas Piston	63	00-356-7502	Spring Pin, Bipod Head
11	00-356-2006	Pin, Front Sight	37	00-356-3082	Pin, Gas Piston	64	00-356-7503	Spring Pin, Bipod Leg
12	00-356-2080	Front Night Sight	38	00-356-3085	Bolt Carrier	65	00-356-7570	Bipod Head
13	00-356-0081	Rear Holder, Hand Guard	39	00-356-3092	Extractor	66	00-356-7580	Left Leg, Bipod
14	00-356-1100	Receiver	40	00-356-3094	Spring, Extractor	67	00-256-7504	Spring, Bipod
15	00-356-1008	Spring, Automatic Sear	41	00-356-3093	Pin, Extractor	68	00-356-7590	Right Leg, Bipod
16	00-356-1003	Trigger	42	00-356-3098	Pin, Bolt	69	00-356-0090	Hand Guard
17	00-356-1006	Hammer	43	00-361-3091	Bolt	70	00-356-0094	Spring, Hand Guard
18	00-356-1014	Automatic Sear	44	00-361-3097	Spring, Firing Pin	71	00-356-7101	Follower
19	00-354-1017	Spring, Trigger	45	00-361-3095	Firing Pin	72	00-356-7181	Spring, Magazine
20	00-354-1007	Spring, Hammer	46	00-356-3074	Ring, Guide Rod	73	00-356-7187	Plate, Spring, Magazine
21	00-356-1004	Disconnecter	47	00-356-3060	Retainer, Return Spring	74	00-356-7102	Bottom Plate, Magazine
22	00-356-1005	Spring Disconnecter	48	00-356-3072	Guide Rod	75	00-356-7190	Magazine, 35 Rounds
23	00-356-1001	Selector Lever, Left	49	00-356-3073	Return Spring	76	00-356-1016	Pin, Pivot, Magazine Catch
24	00-356-1090	Selector lever, Right,	50	00-356-4004	Screw, Pivot Rear Sight	77	00-356-1002	Magazine Catch
25	00-356-1009	Pin, Pivot, Receiver	51	00-356-4090	Cover	78	00-356-1015	Spring, Magazine Catch
26	00-356-1011	Base, Pistol Grip	52	00-356-4007	Pfunger, Rear Night Sight			
			53	00-356-4006	Spring, Rear Night Sight			

Appendix B

EXPLODED VIEW



GALIL

5.56 mm assault rifle

Model ARM

Cat. No. 00.356.0000



ISRAEL MILITARY INDUSTRIES

**Export Division, P.O. Box 1044, Ramat Hasharon 47100, ISRAEL Tel: (03) 54252222, Telex:
33719**